

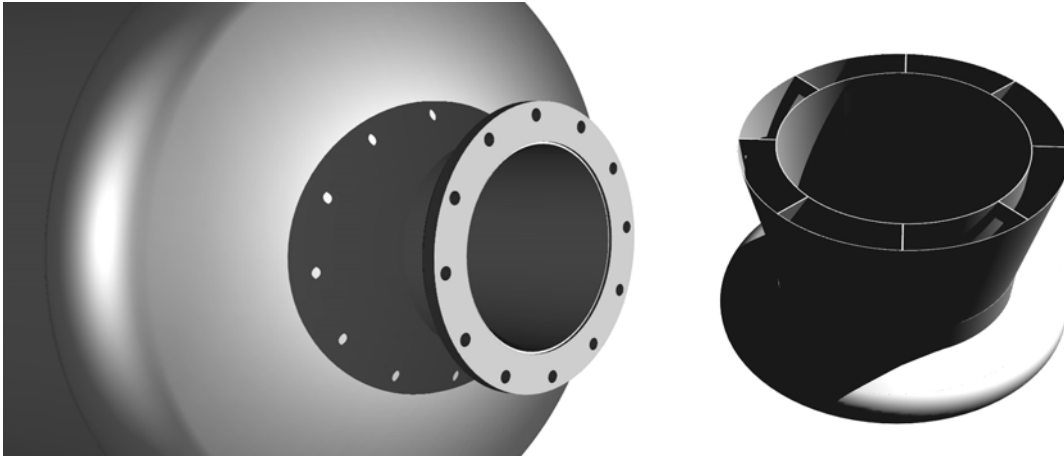
Silentor® Concept silencers

SILENTOR

Less pollution

More power

Patented technology since 1972



Silentor® Concept silencer is based on Silentor's unique and patented technology for exhaust noise attenuation – a technology created during more than 30 years research and development.

The Silentor technology combines absorptive and reflective attenuation with advanced aerodynamics in such a way that it is possible to achieve the best possible relationship between superior attenuation, low backpressure and limited volume.

Silentor® Concept silencers are available in four attenuation classes:

| | |
|-----------|------------|
| Simple: | 20 – 25 dB |
| Basic: | 30 – 35 dB |
| Classic: | 40 – 45 dB |
| Superior: | 50 – 55 dB |

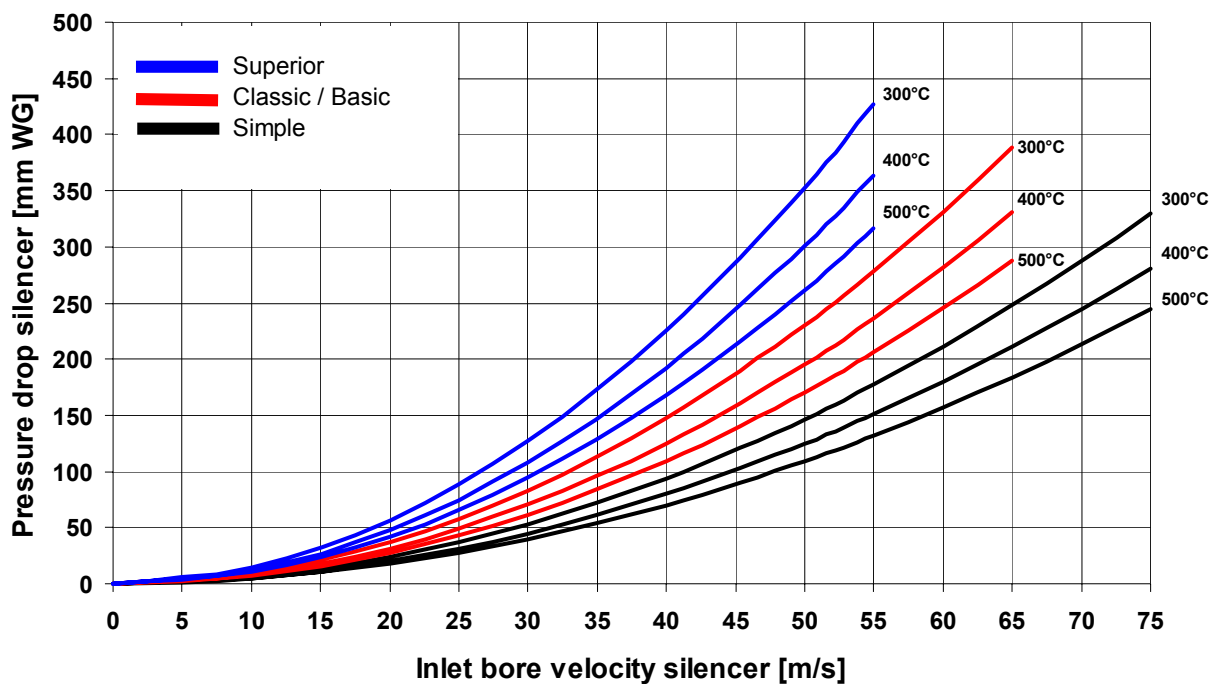
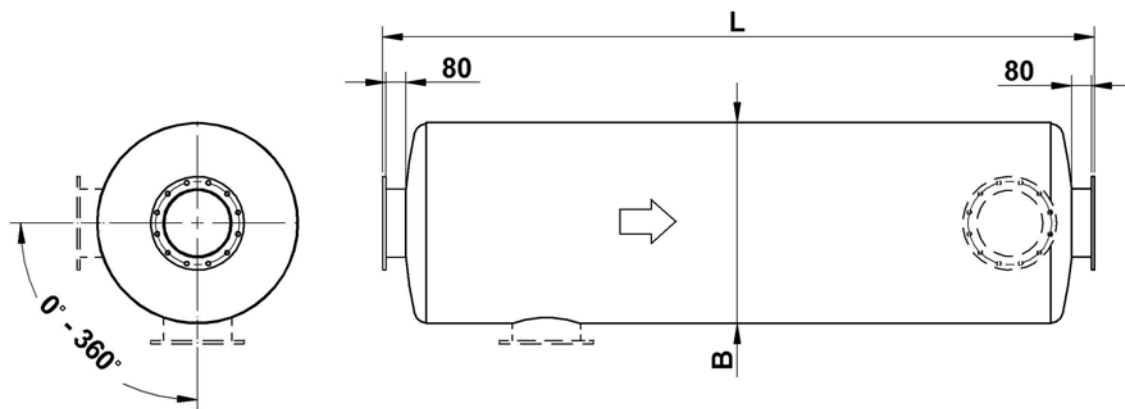
Compared to traditional silencers, the Silentor technology is special because of the ability to attenuate the low-frequency noise including the very dominant noise from the firing frequency from four stroke engines.

Silentor® Concept is the obvious choice for attenuation of exhaust noise from diesel- and gas engines for ships, offshores and vehicles, generators, and power stations.

Silentor® Concept silencers can be modified from case to case according to the customers requirement.

Technical specifications:

| | |
|----------------------------------|---------------------------------------------------------------------------------------------------------------|
| Attenuation: | Class 20-25dB, 30-35 dB, 40-45dB, 50-55dB |
| Pressure loss: | See diagram |
| Dimensions: | See data table. Concept silencers can be delivered in all combinations of central and side in- and outlet. |
| Recommended gas velocity: | See date table |
| Installation: | To achieve maximum attenuation it is recommended to install the silencer as close as possible to the engine. |
| Material: | Mild steel S235JRG2. As an option the silencers can be supplied in stainless steel. |
| Surface treatment: | Anticorrosive transport paint |
| Accessories: | Fixed flanges according to DIN86044 drilling pattern or other standards. |



| Inlet | Type Symbols | Simple class 20-25 dB | Basic class 30-35 dB | Classic class 40-45 dB | Superior class 50- 55 dB |
|-----------------------------|-----------------|--------------------------|-------------------------|---------------------------|-----------------------------|
| DN350 14" | L [mm]: | 1840 | 3140 | 3680 | 4340 |
| | B [mm]: | 756 | 756 | 856 | 1056 |
| | Weight [kg]: | 190 | 340 | 470 | 810 |
| DN400 16" | L [mm]: | 2030 | 3370 | 4030 | 4720 |
| | B [mm]: | 856 | 856 | 956 | 1156 |
| | Weight [kg]: | 250 | 420 | 600 | 990 |
| DN450 18" | L [mm]: | 2210 | 3620 | 4390 | 5120 |
| | B [mm]: | 956 | 956 | 1056 | 1256 |
| | Weight [kg]: | 320 | 530 | 800 | 1200 |
| DN500 20" | L [mm]: | 2420 | 3870 | 4730 | 5600 |
| | B [mm]: | 1056 | 1056 | 1156 | 1358 |
| | Weight [kg]: | 400 | 680 | 950 | 1430 |
| DN550 22" | L [mm]: | 2690 | 4190 | 4990 | 5730 |
| | B [mm]: | 1156 | 1156 | 1256 | 1458 |
| | Weight [kg]: | 530 | 840 | 1180 | 2034 |
| DN600 24" | L [mm]: | 2970 | 4540 | 5290 | 6060 |
| | B [mm]: | 1256 | 1256 | 1358 | 1558 |
| | Weight [kg]: | 640 | 1000 | 1550 | 2370 |
| DN650 26" | L [mm]: | 3250 | 4910 | 5590 | 6390 |
| | B [mm]: | 1358 | 1358 | 1458 | 1658 |
| | Weight [kg]: | 760 | 1180 | 1900 | 2710 |
| DN700 28" | L [mm]: | 3510 | 5260 | 5890 | 6720 |
| | B [mm]: | 1458 | 1458 | 1558 | 1758 |
| | Weight [kg]: | 1080 | 1630 | 2200 | 3090 |
| DN750 30" | L [mm]: | 3790 | 5630 | 6190 | 7000 |
| | B [mm]: | 1558 | 1558 | 1658 | 1858 |
| | Weight [kg]: | 1240 | 1880 | 2520 | 3500 |
| DN800 32" | L [mm]: | 4070 | 6000 | 6520 | 7270 |
| | B [mm]: | 1658 | 1658 | 1758 | 1958 |
| | Weight [kg]: | 1420 | 2150 | 2850 | 3950 |
| DN850 34" | L [mm]: | 4280 | 6280 | 6890 | 7550 |
| | B [mm]: | 1758 | 1758 | 1858 | 2060 |
| | Weight [kg]: | 1600 | 2475 | 3210 | 4880 |
| DN900 36" | L [mm]: | 4570 | 6670 | 7240 | 7830 |
| | B [mm]: | 1858 | 1858 | 1958 | 2160 |
| | Weight [kg]: | 1850 | 2800 | 3600 | 5420 |
| DN950 38" | L [mm]: | 4710 | 6920 | 7590 | 8140 |
| | B [mm]: | 1958 | 1958 | 2060 | 2260 |
| | Weight [kg]: | 2000 | 3100 | 4370 | 6250 |
| DN1000 40" | L [mm]: | 5025 | 7330 | 7940 | 8420 |
| | B [mm]: | 2060 | 2060 | 2160 | 2360 |
| | Weight [kg]: | 2475 | 3775 | 4960 | 6920 |
| DN1100 44" | L [mm]: | 5680 | 8190 | 8640 | 9070 |
| | B [mm]: | 2210 | 2210 | 2310 | 2512 |
| | Weight [kg]: | 3050 | 4625 | 5820 | 8780 |
| DN1200 48" | L [mm]: | 6260 | 9070 | 9370 | 9760 |
| | B [mm]: | 2360 | 2360 | 2462 | 2662 |
| | Weight [kg]: | 3725 | 5750 | 7760 | 10100 |
| DN1300 52" | L [mm]: | 6740 | 9690 | 10090 | 10440 |
| | B [mm]: | 2512 | 2512 | 2612 | 2812 |
| | Weight [kg]: | 4800 | 7300 | 8950 | 11660 |
| DN1400 56" | L [mm]: | 7290 | 10440 | 10970 | 11070 |
| | B [mm]: | 2662 | 2662 | 2762 | 2962 |
| | Weight [kg]: | 5500 | 8350 | 10240 | 13250 |
| DN1500 60" | L [mm]: | 7830 | 11180 | 11780 | 11750 |
| | B [mm]: | 2812 | 2812 | 2912 | 3112 |
| | Weight [kg]: | 6250 | 9450 | 11640 | 14920 |
| DN1600 64" | L [mm]: | 8380 | 11930 | 12580 | 12380 |
| | B [mm]: | 2962 | 2962 | 3062 | 3262 |
| | Weight [kg]: | 7050 | 10625 | 13030 | 16680 |
| Maximum inlet gas velocity: | | 75m/s | 65 m/s | 65 m/s | 55 m/s |

www.silentor.com